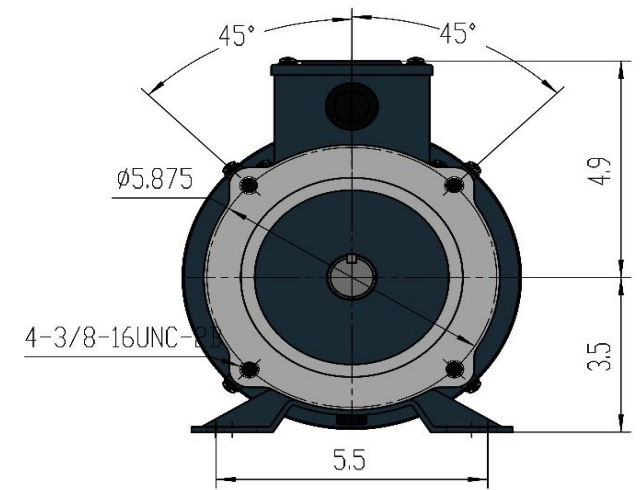
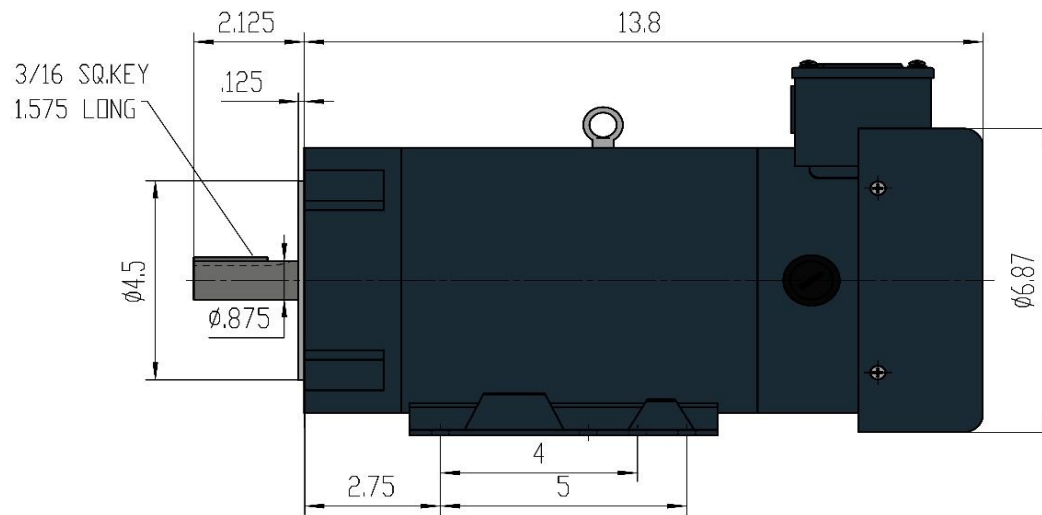


# MaxMotion



Customer is responsible in determining that MaxMotion product will fit/perform suitably in the intended application

Version: 1NIN

Revised: April 2020

HP	RPM	Voltage	Amps	Const.	Frame	Insul.	Torque	P. Code	Wgt lbs	Rated
1,5	1750	180Vdc	7,86	TEFC	145TC	Class H	54 in/lbs	K (SCR)	45	IP45

**MM1518FC**